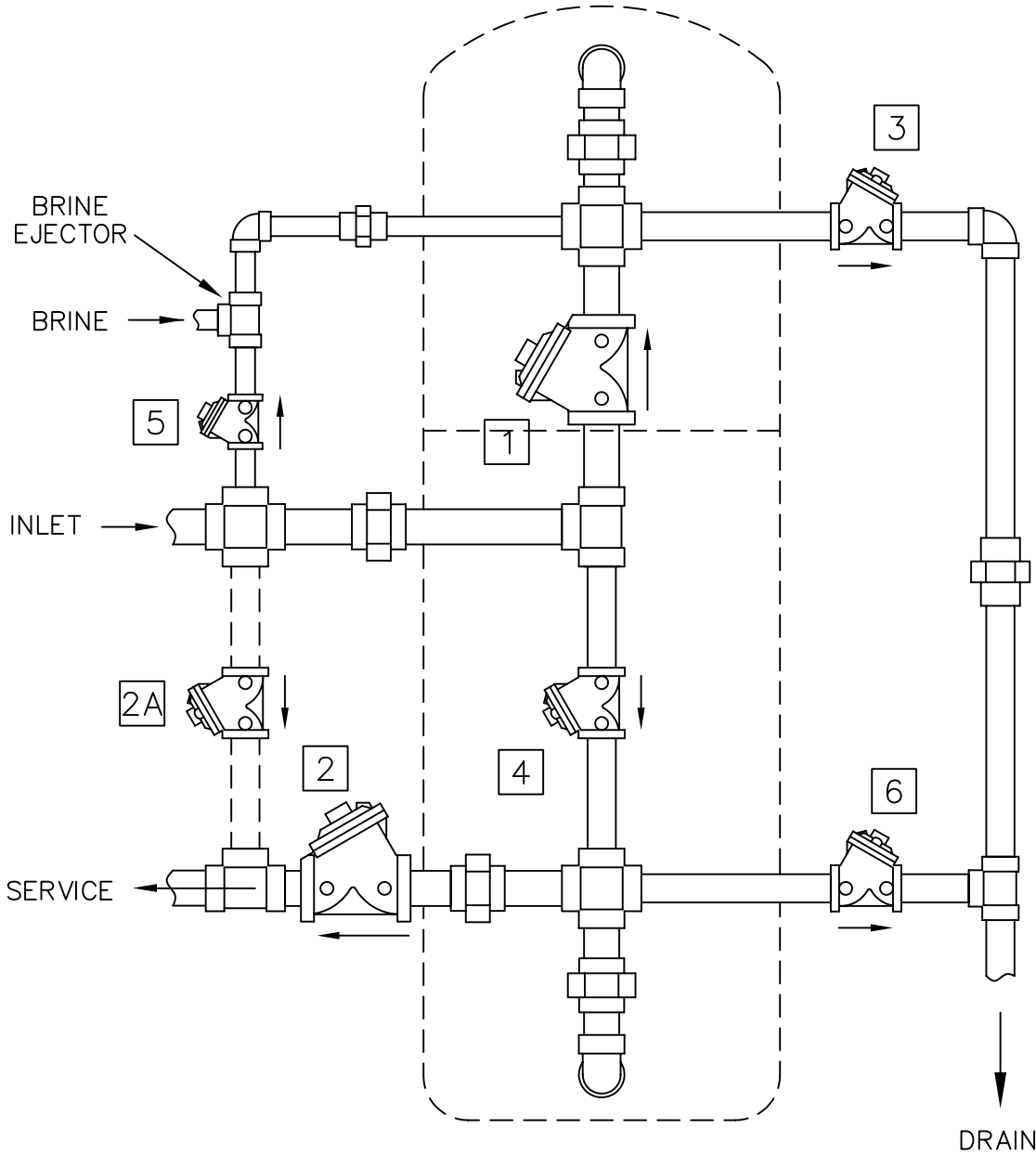


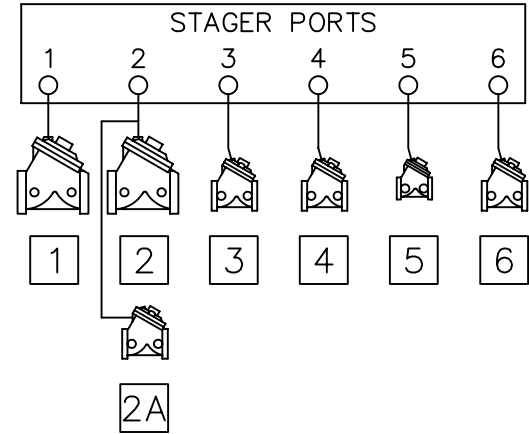
4 POSITION SOFTENER (48-00 STAGER)



4 POSITION SOFTENER

NOTCH	POS.	FUNCTION	PORTS VENTED (NOTE 1)	VALVES OPEN
A	4	SERVICE	1,2	1,2
B				
C	1	BACKWASH	3,4	3,4,2A
D				
E	2	BRINE	5,6	5,6,2A
F	3	RINSE	1,6	1,6,2A

SERIES 48-00 STAGER



NOTE:

1. ALL OTHER PORTS PRESSURIZED.
2. ALL VALVES (EXCEPT NO. 2A) NORMALLY OPEN, PRESSURE TO CLOSE. VALVE 2A NORMALLY CLOSED.
3. VALVE 2A REQUIRED FOR RAW WATER BYPASS DURING REGENERATION.
4. BRINE VALVE AND DRAIN LINE FLOW CONTROLLER NOT SHOWN.

B	CHANGED PIPING TO VALVE 2A TO BE DOTTED	NONE	MSM	15APR03	
A	INITIAL RELEASE	NONE	JWB	31JUL01	MSM
REV	DESCRIPTION	ECO	DWN	DATE	APVD

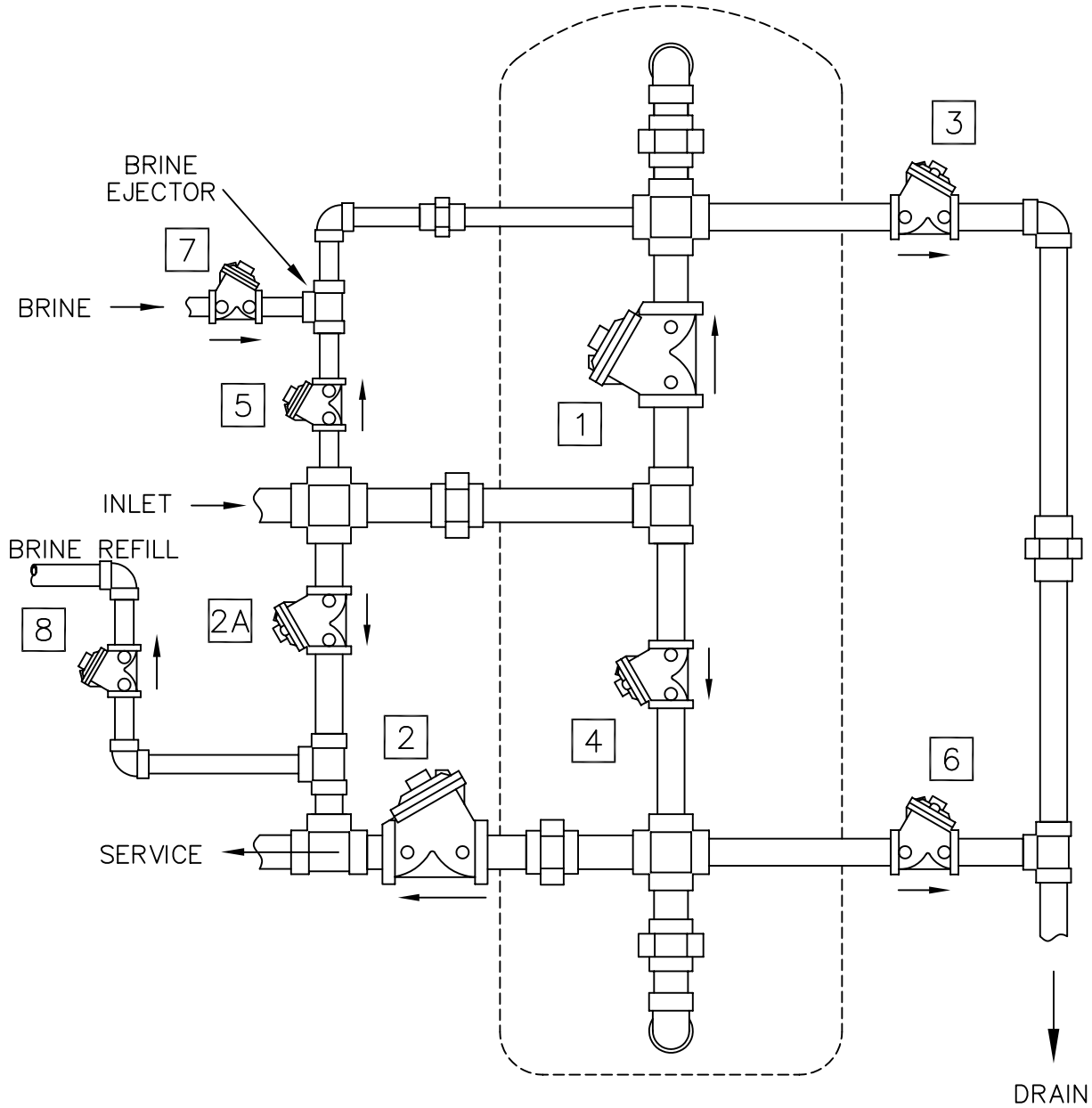


Safe Water Technologies, Inc.
 996 Bluff City Blvd, Elgin, IL 60120 USA
 847-888-6900 | www.swfwater.com

4 POSITION SOFTENER

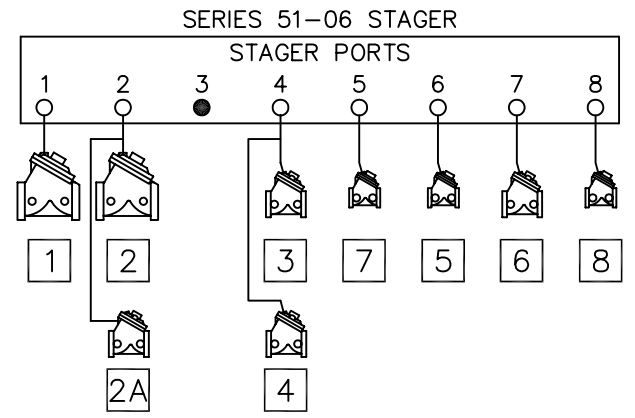
SCALE	DRAWN	DATE	DWG. NO.
N/A	JWB	31JUL01	4800PRGM

6 POS. SOFTENER W/ TIMED BRINE & REFILL (51-06 STAGER)



6 POSITION SOFTENER W/ TIMED BRINE & REFILL

NOTCH	POS.	FUNCTION	PORTS VENTED (NOTE 1)	VALVES OPEN
A	0	SERVICE	1,2	1,2
B				
C	1	BACKWASH	4	3,4,2A
D				
E	2	BRINE	5,6,7	5,6,7,2A
F	3	SLOW RINSE	6,7	5,6,2A
G	4	FAST RINSE	1,7	1,6,2A
H	5	BRINE REFILL	1,2,8	1,2,8



- NOTE:
1. ALL OTHER PORTS PRESSURIZED.
 2. ALL VALVES (EXCEPT NO. 2A) NORMALLY OPEN, PRESSURE TO CLOSE. VALVE 2A NORMALLY CLOSED.
 3. VALVE 2A REQUIRED FOR RAW WATER BYPASS DURING REGENERATION.
 4. DRAIN LINE FLOW CONTROLLER NOT SHOWN.

A	INITIAL RELEASE	NONE	JWB	31JUL01
REV	DESCRIPTION	ECO	DWN	DATE APVD



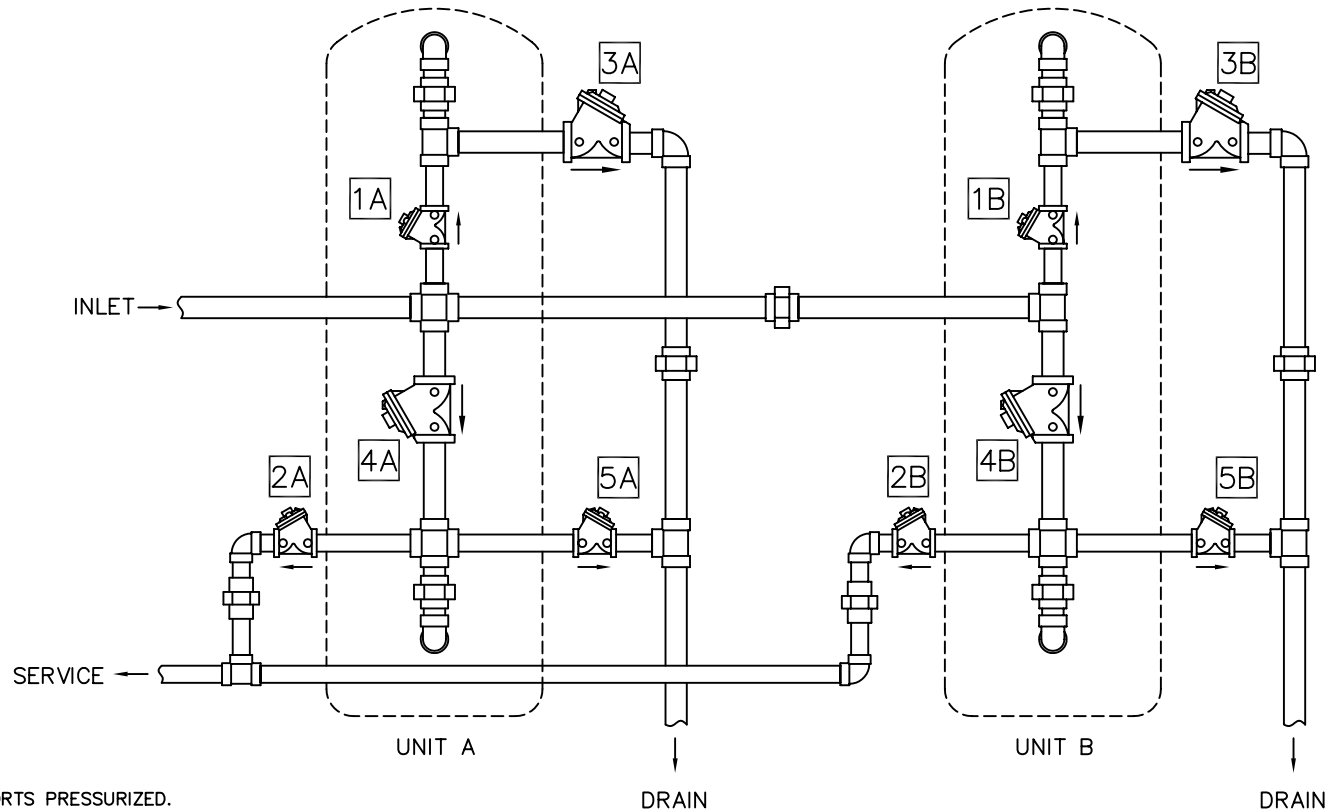
Safe Water Technologies, Inc.
 996 Bluff City Blvd, Elgin, IL 60120 USA
 847-888-6900 | www.swfwater.com

**6 POSITION SOFTENER
W/ TIMED BRINE & REFILL**

SCALE N/A	DRAWN JWB	DATE 31JUL01	DWG. NO. 5106PRGM
--------------	--------------	-----------------	----------------------

2 TANK SEQUENTIAL FILTER (51-10 STAGER)

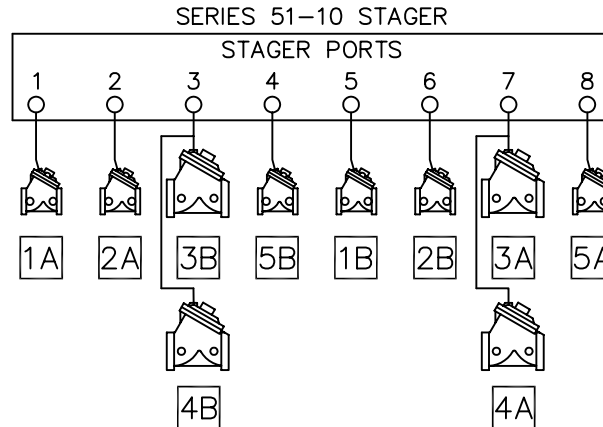
2 TANK SEQUENTIAL FILTER



NOTE:

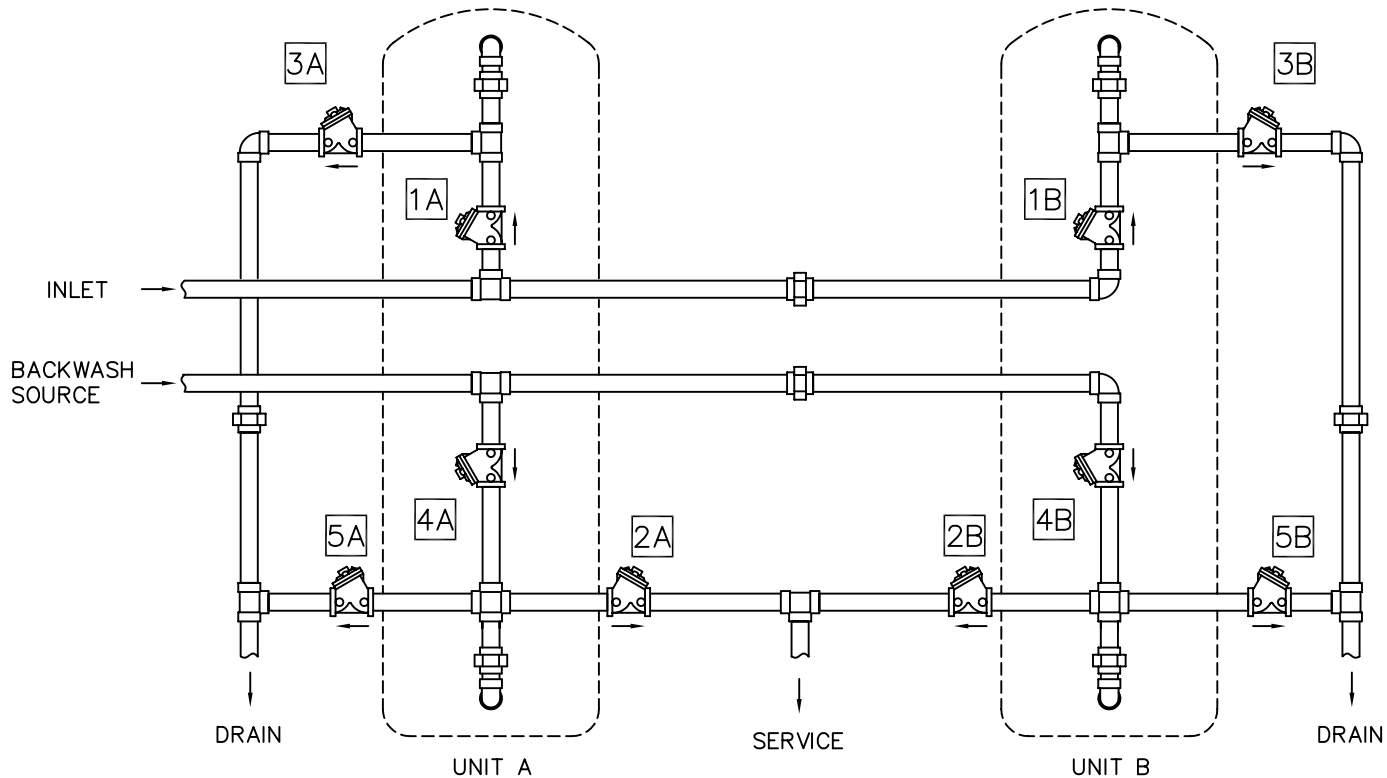
1. ALL OTHER PORTS PRESSURIZED.
2. ALL VALVES NORMALLY OPEN, PRESSURE TO CLOSE.
3. DRAIN LINE FLOW CONTROLLER NOT SHOWN.

NOTCH	POS.	FUNCTION	PORTS VENTED (NOTE 1)	VALVES OPEN
A	0	SERVICE	1,2,5,6	1A,2A,1B,2B
B				
C	1	BACKWASH UNIT A	5,6,7	1B,2B,3A,4A
D	2	RINSE UNIT A	1,5,6,8	1A,1B,2B,5A
E				
F				
G	3	BACKWASH UNIT B	1,2,3	1A,2A,3B,4B
H	4	RINSE UNIT B	1,2,4,5	1A,2A,5B,1B



A	INITIAL RELEASE	NONE	JWB	31JUL01
REV	DESCRIPTION	ECO	DWN	DATE APVD
Safe Water Technologies, Inc. 996 Bluff City Blvd, Elgin, IL 60120 USA 847-888-6900 www.swtwater.com				
2 TANK SEQUENTIAL FILTER				
SCALE	DRAWN	DATE	DWG. NO.	
N/A	JWB	31JUL01	5110PRGM1	

**2 TANK SEQUENTIAL FILTER
SEPERATE BACKWASH SOURCE**

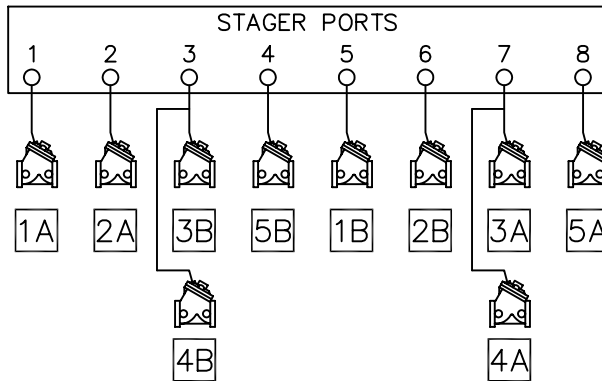


NOTE:

1. ALL OTHER PORTS PRESSURIZED.
2. ALL VALVES NORMALLY OPEN, PRESSURE TO CLOSE.
3. DRAIN LINE FLOW CONTROLLER NOT SHOWN.

NOTCH	POS.	FUNCTION	PORTS VENTED (NOTE 1)	VALVES OPEN
A	0	SERVICE	1,2,5,6	1A,2A,1B,2B
B				
C	1	BACKWASH UNIT A	5,6,7	1B,2B,3A,4A
D	2	RINSE UNIT A	1,5,6,8	1A,1B,2B,5A
E				
F				
G	3	BACKWASH UNIT B	1,2,3	1A,2A,3B,4B
H	4	RINSE UNIT B	1,2,4,5	1A,2A,5B,1B

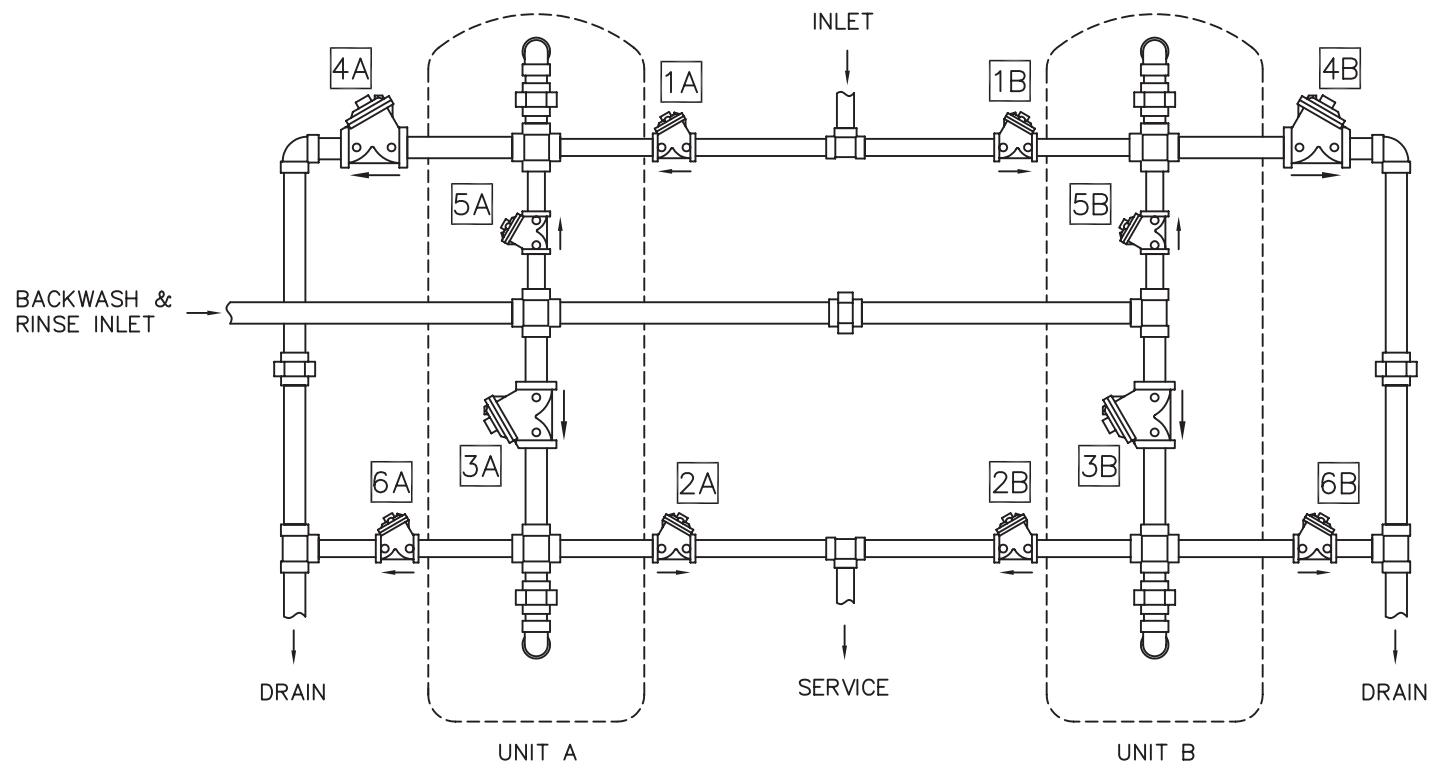
SERIES 51-10 STAGER



B	ON PIPING DRAWING, VALVE 1A WAS SHOWN AS VALVE 5A	NONE	MSM	04JUN03	
A	INITIAL RELEASE	NONE	JWB	31JUL01	
REV	DESCRIPTION	ECO	DWN	DATE	APVD
 Safe Water Technologies, Inc. 996 Bluff City Blvd, Elgin, IL 60120 USA 847-888-6900 www.swtwater.com					
2 TANK SEQUENTIAL FILTER W/ SEPARATE BACKWASH SOURCE					
SCALE	DRAWN	DATE	DWG. NO.		
N/A	JWB	31JUL01	5110PRGM2		

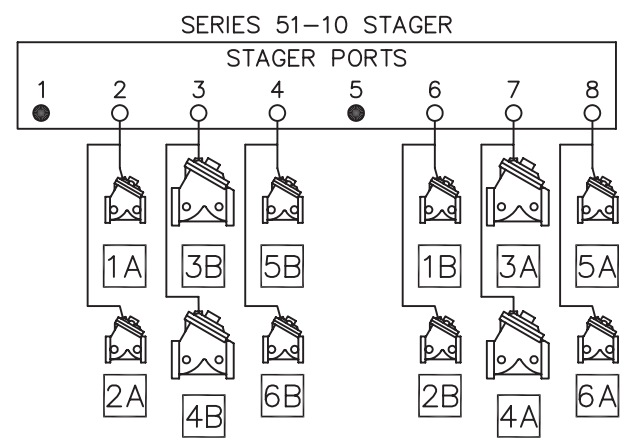
2 TANK SEQUENTIAL FILTER W/ SEPARATE SOURCE FOR BACKWASH & RINSE (51-10 STAGER)

**2 TANK SEQUENTIAL FILTER
SEPARATE SOURCE FOR BACKWASH & RINSE SUPPLY**



- NOTE:
1. ALL OTHER PORTS PRESSURIZED.
 2. ALL VALVES NORMALLY OPEN, PRESSURE TO CLOSE.
 3. DRAIN LINE FLOW CONTROLLER NOT SHOWN.

NOTCH	POS.	FUNCTION	PORTS VENTED (NOTE 1)	VALVES OPEN
A	0	SERVICE	2,6	1A,2A,1B,2B
B				
C	1	BACKWASH UNIT A	6,7	1B,2B,3A,4A
D	2	RINSE UNIT A	6,8	1B,2B,5A,6A
E				
F				
G	3	BACKWASH UNIT B	2,3	1A,2A,3B,4B
H	4	RINSE UNIT B	2,4	1A,2A,5B,6B



B	VALVE 5B WAS CALLED 1B	NONE	MSM	23NOV04	
REV	DESCRIPTION	ECO	DWN	DATE	APVD

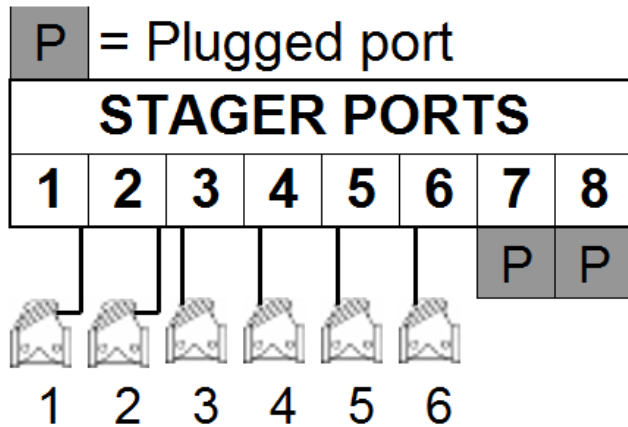

Safe Water Technologies, Inc.
 996 Bluff City Blvd, Elgin, IL 60120 USA
 847-888-6900 | www.swfwater.com

**2 TANK SEQUENTIAL FILTER WITH
SEPARATE SOURCE FOR BACKWASH & RINSE**

SCALE	DRAWN	DATE	DWG. NO.
N/A	JWB	31JUL01	5110PRGM3


NOTCH	POS	FUNCTION	PORTS PRESSURIZED	VALVES OPEN
A*	0	Service	1, 2, 3, 4, 5, 6	1, 2
B				
C				
D				
E	1	Backwash	5, 6	5, 6
F				
G	2	Brine	3, 4	3, 4
H	3	Fast Rinse	1, 3, 4, 5	1, 3, 4, 5

* 1st aux cam notched in service for homing



Valves 1, 2 Normally Closed, pressure to Open

Valves 3, 4, 5, 6 are Normally Open, pressure to Close

A	Release		7/25/16
REV	DESCRIPTION	ECN	DATE
 Safe Water Technologies, Inc. 996 Bluff City Blvd, Elgin, IL 60120 USA 847-888-6900 www.swtwater.com			
SERIES 51-S0 STAGER PRODUCT DRAWING			
SCALE	DRAWN	DATE	DWG. NO.
N/A	JJJ	5JUL16	51S0PRGM