

TANK HEADS & MANIFOLDS



CUSTOM MACHINED PLASTIC TANK HEADS (MOST COMMON CONFIGURATIONS)

SWT's custom tank heads and manifolds are machined from solid PVC bar stock for maximum reliability in the field. These are ideal for common applications such as: deionization (DI) systems, carbon filters, sediment filters, neutralizers, and portable water softeners. They can also be machined from CPVC, polypropylene, teflon, or PVDF to meet your application's required specification.



SM-T481S7



SM-T481S75FPIS



SM-T2581S11



SM-T481S6



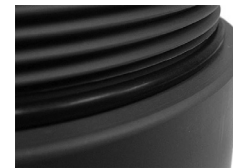
SM-T481S75FPIS

Technical Specifications

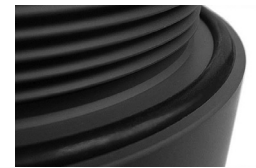
Maximum recommended operating temperature.....140°F (60°C)

Maximum recommended operating pressure.....150 PSI (10 Bar)

Standard material of construction.....PVC & EPDM

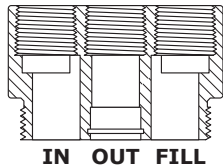


Chamfer O-ring Seal



Face O-ring Seal

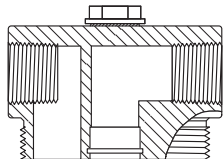
Part Number	Tank Thread	Inlet / Outlet FNPT	Center Riser Port	Inlet Screen Part No.
-------------	-------------	---------------------	-------------------	-----------------------



IN OUT FILL

In, Out, and Rinse / Fill...Out the Top (Riser Port is Off Center)

SM-T258375TA1P	2-1/2" #8 NPSM	3/4"	3/4" FNPT	SM-L87504510
SM-T4531T7	4-1/2" Buttress	1"	1"	SM-ST10610

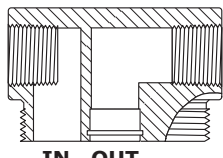


IN OUT

In and Out the Top

SM-T258375S175FP*	2-1/2" #8 NPSM	3/8"	13/16"	SM-MPU14
SM-T2585S175FP*	2-1/2" #8 NPSM	1/2"	13/16"	SM-MPU14
SM-T25875S75FP*	2-1/2" #8 NPSM	3/4"	13/16"	SM-MPU14

* Includes 3/4 inch fill port and ABS fill plug with EPDM o-ring.



IN OUT

In and Out...Opposite Sides

SM-T258375S1**	2-1/2" #8 NPSM	3/8"	13/16"	SM-MPU14
SM-T2585S1**	2-1/2" #8 NPSM	1/2"	13/16"	SM-MPU14
SM-T25875S75F1**	2-1/2" #8 NPSM	3/4"	13/16"	SM-MPU14
SM-T2581S11**	2-1/2" #8 NPSM	1"	3/4"	SM-US105
SM-T2581S7	2-1/2" #8 NPSM	1"	1"	SM-T2581S7-UDI.315
SM-T4875S1**	4" #8 UN	3/4"	13/16"	SM-MPU14
SM-T481S6**	4" #8 UN	1"	3/4"	SM-ST750610
SM-T4815S15R**†	4" #8 UN	1.5"	1.5"	SM-US3381015 ‡ SM-US3691510 §
SM-T4575S1**	4-1/2" Buttress	3/4"	13/16"	SM-MPU14
SM-T451S6**	4-1/2" Buttress	1"	3/4"	SM-ST750610

** Chamfer O-ring Seal standard. Face O-ring Seal available (add "P" to end of Part Number).

† O-ring Kit (P/N SM-T4815S15R-ORINGS) available. Includes EPDM Tank Neck and Riser Port O-rings.

‡ SM-US3381015 has 1.6 square inches of slot area & 3-3/8" OAL - made-to-order with minimum quantity requirements

§ SM-US3691510 has 4.2 square inches of slot area & 6-3/4" OAL - stock product

In the Side... Out the Other with Upper Screen/ Diffuser Solvent Welded

SM-T258375TA1P	2-1/2" #8 NPSM	3/4"	3/4" FNPT	SM-L87504510
----------------	----------------	------	-----------	--------------



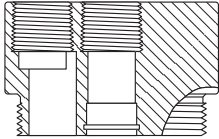
TANK HEADS & MANIFOLDS



CUSTOM MACHINED PLASTIC TANK HEADS (MOST COMMON CONFIGURATIONS)

Part Number	Tank Thread	Inlet / Outlet FNPT	Center Riser Port	Inlet Screen Part No.
-------------	-------------	---------------------	-------------------	-----------------------

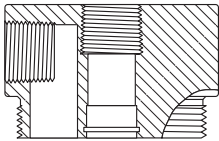
In and Out the Top



IN OUT

SM-T258375T1	2-1/2" #8 NPSM	3/8"	13/16"	SM-MPU14
SM-T2585T1	2-1/2" #8 NPSM	1/2"	13/16"	SM-MPU14
SM-T25875T1	2-1/2" #8 NPSM	3/4"	13/16"	SM-MPU14
SM-T4875T1	4" #8 UN	3/4"	13/16"	SM-MPU14
SM-T481T6	4" #8 UN	1"	3/4"	SM-ST750610
SM-T4575T1	4-1/2" Buttress	3/4"	13/16"	SM-MPU14
SM-T451T6	4-1/2" Buttress	1"	3/4"	SM-ST750610

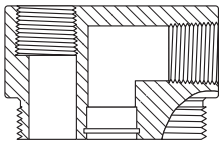
In the Side...Out the Top



IN OUT

SM-T258375ST1	2-1/2" #8 NPSM	3/8"	13/16"	SM-MPU14
SM-T2585ST1	2-1/2" #8 NPSM	1/2"	13/16"	SM-MPU14
SM-T25875ST1	2-1/2" #8 NPSM	3/4"	13/16"	SM-MPU14
SM-T4875ST1	4" #8 UN	3/4"	13/16"	SM-MPU14
SM-T481ST6	4" #8 UN	1"	3/4"	SM-ST750610
SM-4575ST1	4-1/2" Buttress	3/4"	13/16"	SM-MPU14
SM-T451ST6	4-1/2" Buttress	1"	3/4"	SM-ST750610

In the Top...Out the Side



IN OUT

SM-T258375TS1	2-1/2" #8 NPSM	3/8"	13/16"	SM-MPU14
SM-T2585TS1	2-1/2" #8 NPSM	1/2"	13/16"	SM-MPU14
SM-T25875TS1	2-1/2" #8 NPSM	3/4"	13/16"	SM-MPU14
SM-T4875TS1	4" #8 UN	3/4"	13/16"	SM-MPU14
SM-T481TS6	4" #8 UN	1"	3/4"	SM-ST750610
SM-4575TS1	4-1/2" Buttress	3/4"	13/16"	SM-MPU14
SM-T451TS6	4-1/2" Buttress	1"	3/4"	SM-ST750610

ALSO AVAILABLE

An additional 1/2 inch or 3/4 inch fill hole with plug seal is available. Call for pricing.

An additional 1/2 inch or 3/4 inch DI light hole is available. Call for pricing.

3/4 inch Plug, molded ABS with EPDM O-ring (P/N SM-PLG75-ABS)

SCREENS, BASKETS, & STRAINERS

Inlet Screen, 2-step socket for 0.375 and 0.540 inch O.D. rigid tubing, 0.014 inch screen size (approx. 45 mesh) (P/N SM-MPU14)

Upper Basket, molded ABS, for 3/4 inch pipe riser port (1.050 inch O.D.), attaches with two screws (sold separately) (P/N SM-US105)

Strainer, machined PVC, 3/4 inch slip connection, 6 inch length, 0.010 slot size (P/N SM-ST750610)

Strainer, machined PVC, 1 inch slip connection, 6 inch length, 0.010 slot size (P/N SM-ST106010)

REDUCING COUPLINGS — PVC

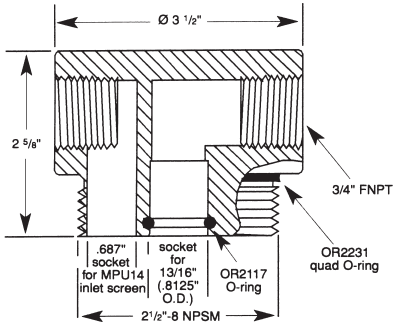
13/16 inch socket x 3/4 inch socket with 6 inch length of 13/16 inch PVC rigid tubing (P/N SM-CP812S75S)

13/16 inch socket x 13/16 inch socket —OR— 3/4 inch spigot x 13/16 inch socket (P/N SM-CP8128812SS)

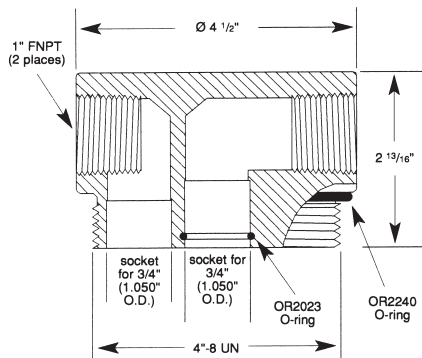
TANK HEADS & MANIFOLDS



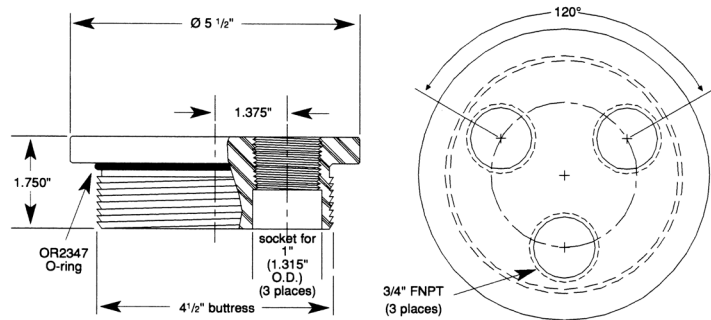
CUSTOM MACHINED PLASTIC TANK HEADS (MOST COMMON CONFIGURATIONS)



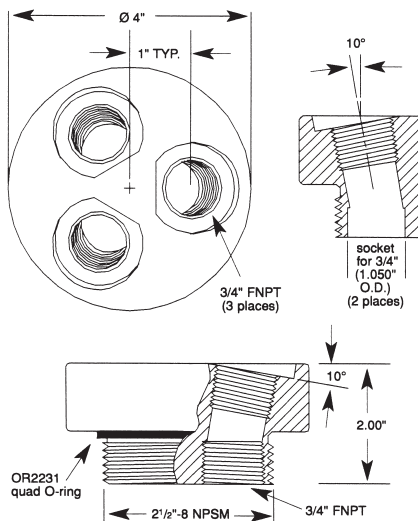
SM-T25875S1



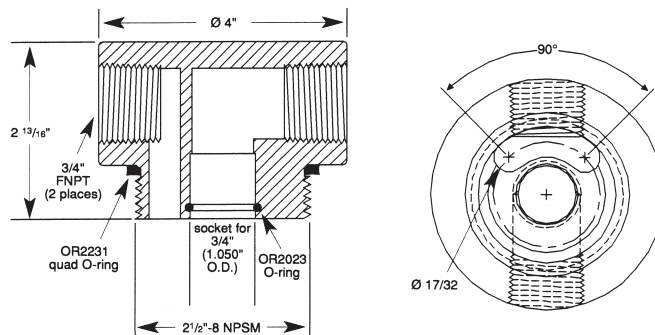
SM-T481S6



SM-T4531T7



SM-T258375TA10



SM-T2581S11